

TAKSTAR® 得胜



MS-580 | 会议麦克风  
CONFERENCE MICROPHONE

# MS-580会议麦克风

---

## ■ 前言

尊敬的用户：

感谢您选购得胜MS-580会议麦克风，为了您能够更好的了解使用本产品，建议您在使用前仔细阅读本说明书

若存在有疑问或者您有宝贵的建议，可通过拨打得胜官方服务热线400 6828 333或微信扫描二维码关注得胜官方公众号与我们联系。



## ■ 产品特性

- 即插即用，适用于所有3.5mm接口的设备
- 双弯式咪管，360°自由调整角度
- 采用单指向音头，拾音距离远
- 自带背景噪声消除功能，有效屏蔽环境噪声，拾音更清晰
- 一键静音切换开关，随时开启或关闭声音信号，使用简单方便
- 底部设计防滑胶垫，防止麦克风滑动的同时也降低了桌面震动带来的影响

## ■ 产品适用范围

适用于会议扩声、视频对话、游戏语音、录屏、直播等场合

## ■ 产品配置

会议麦克风·····	1 个
防风棉·····	1 个
说明书·····	1 份

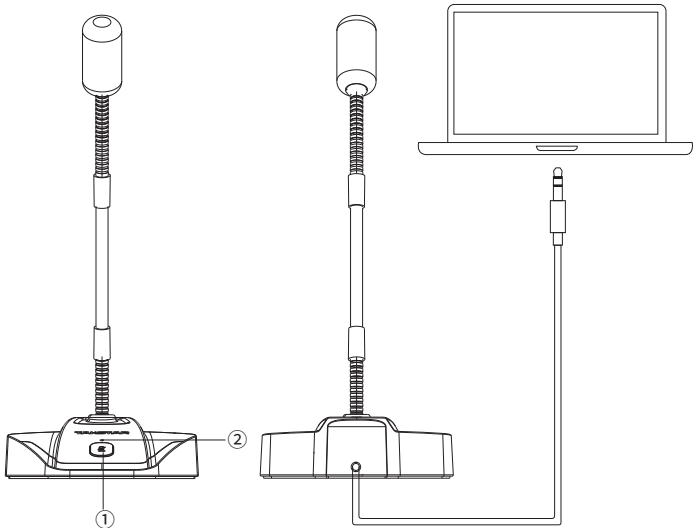
## ■ 技术参数

- 麦克风指向模式：单指向
- 灵敏度：-39±2dB RL=0.68KΩ Vs=1.5V( 1KHz 0dB=1V/Pa)
- 麦克风频率响应：20-16000 Hz
- MIC 信噪比：More than 65dB
- 单体尺寸：117.91X107.02 X35.13mm
- 单体重量：230g

注：以上数据由得胜实验室测试得到

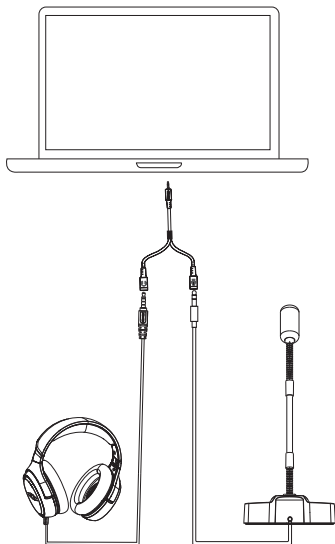
## ■ 功能示意

开关按键：通过按压开关实现静音及拾音状态之间循环切换。按键下压为拾音状态，指示灯常亮；按键弹起为静音状态，指示灯熄灭。



### ■ 使用说明

当所连接设备的音频接口是双孔接口，可直接将MS-580会议麦克风连接到标有“🎤”的接口；当所连接设备的音频接口为单孔接口时，需先将自备的一分二转接线连接至设备的 $\phi 3.5\text{mm}$ 接口，再将麦克风接到一分二转接线上标有“🎤”的接口，以避免设备外放无声音的情况发生；如需监听录制效果，则把耳机接到一分二转接线上标有“🎧”符号的接口，如下图所示：



### ■ 安全警示

为避免电击、高温、着火、辐射、爆炸、机械危险以及使用不当等可能造成的人身伤害或财产损失，使用本产品前，请仔细阅读并遵守以下事项：

1. 使用产品时请确认所连设备与本产品是否匹配以及合理调整音量大小，不要在超过产品功率及大音量下长时间使用，以免造成产品异常；
2. 使用中若发现有异常（如冒烟、异味等），请立即关闭电源开关并拔掉电源插头，然后将产品送售后服务网点检修；
3. 本产品及配件都应放置在室内干燥通风处，请勿长期存放在潮湿、灰尘多的环境，使用中避免靠近火源、雨淋、进水、过度碰撞、抛掷、振动本机及覆盖通风孔，以免损坏其功能；
4. 若产品需要固定于墙壁或天花板上时，请确保固定到位，防止因固定强度不足导致产品发生跌落危险；
5. 使用该产品时需遵守相关安全规定，法律法规明确禁止使用场合请勿使用本产品，以免导致意外事故；
6. 请不要自行拆机改装或维修，以防止出现人身伤害，如有问题或服务需求请联系当地售后服务网点跟进处理。

### ■ 关于图标含义解释



根据RL2004/108/EG和European Low Voltage Directive（欧洲低电压指令）RL2006/95/EG的测试结果表明，本产品符合欧共同体关于电磁兼容性的成员国法律整合的指令中所规定的限值。

### ■ 关于本说明书

本说明书中内容符合截止印刷之日的技术规格。由于得胜公司会不断改进产品，本说明书可能不符合您的特定产品的技术规格。要获取最新版说明书，请访问得胜官网，然后下载说明书文件。技术规格、设备或另售的附件在各个地区可能有所不同，如有问题请与当地得胜销售网点确认。如需更多支持和深层产品信息，请浏览得胜官方网站：<https://www.takstar.com>

# MS-580 Conference Microphone

---

## ■ Preface

Dear Customer,

Thank you for purchasing Takstar MS-580 Conference Microphone. In order to better understand and use the product, please read this manual thoroughly.

If you have any questions or suggestions, please contact our local dealer.

## ■ Features

- Plug-and-play, compatible with devices having 3.5mm jack.
- Dual-section gooseneck, 360° pickup angle.
- Uni-directional capsule with long pickup distance.
- Built-in background noise cancellation function for clear pickup.
- One-key mute switch to easily enable/disable mic at any time.
- Anti-slip bottom pad also reduces the impact of desktop vibration.

## ■ Applications

Conferences, video calls, game talks, screen recording, live broadcast.



## ■ Package Contents

- 1 \* Conference Microphone
- 1 \* Windscreen
- 1 \* User Manual

## ■ Specifications

- Mic Polar Pattern: Unidirectional
- Sensitivity:  $-39 \pm 2 \text{dB RL} = 0.68 \text{K}\Omega$  Vs=1.5V (1KHz 0dB=1V/Pa)
- Mic Frequency Response: 20-16000Hz
- Mic SNR: More than 65dB
- Dimensions: 117.91\*107.02\*35.13mm
- Weight: about 230g

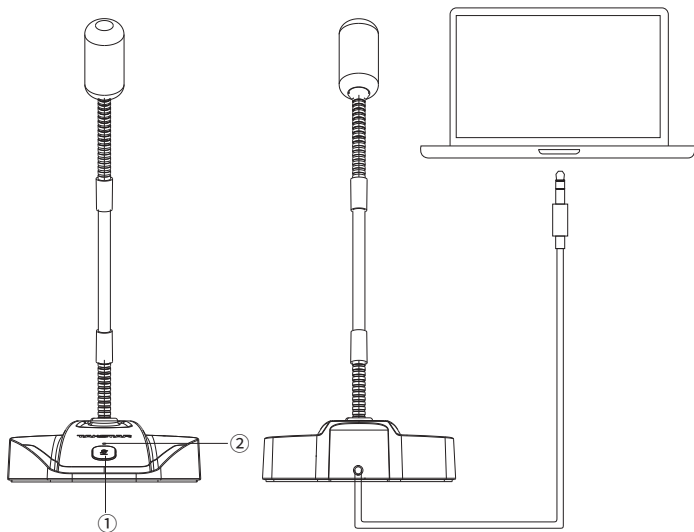
Note: The above data are measured by Takstar laboratory.

## MS-580 Conference Microphone

---

### ■ Function instructions




Switch button: by pressing this button to disable/enable the mic cyclically. When depressed, mic is enabled, and indicator lights up. When raised, mic is disabled, and indicator light goes off.

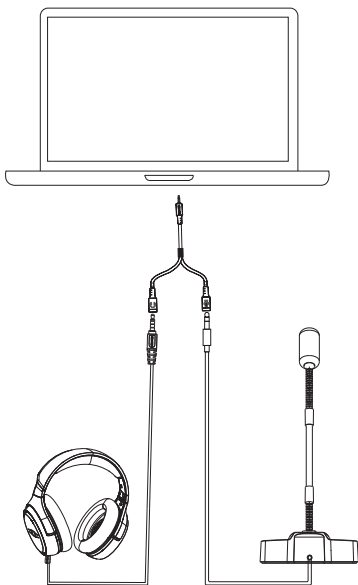


## MS-580 Conference Microphone

---

### ■ Operation Instructions

When connecting to a dual-jack audio interface, you can directly connect the MS-580 conference mic to the interface marked with "  ". When connecting to a single-jack audio interface, you need to connect a Y splitter cable first (not included), then connect the mic to the port marked with "  " on the splitter cable, otherwise the connected device cannot receive the mic signal; and if monitoring is required, you can also connect a headphone to the port marked with "  " on the splitter cable. See below illustration.




### ■ Safety Instructions

To avoid electric shock, overheat, fire, radiation, explosion, mechanical risk and injury or property loss due to improper use, please read and observe the following items before use:

1. Please check if the power of the connected equipment matches with that of this product before operation. Adjust the volume to proper level during operation. Do not operate at over-power or high-volume level for extended time to avoid product malfunction.
2. If there is any abnormality during use (e.g., smoke, strange odor), please kill the power switch and unplug from power source, then send the product to the after-sales service outlet for repair.
3. Keep this product and its accessories in a dry and ventilated area. Do not store in a humid or dusty area for extended time. Keep away from fire, rain, liquid intrusion, bumping, throwing, vibrating, or from blocking any ventilation openings, to prevent malfunction.
4. The product must, when installed on walls or ceilings, be fixed firmly in place at adequate strength to prevent from falling.
5. Abide by relative safety rules during operation. Do not use it if prohibited by laws and regulations to avoid accident.
6. Do not disassemble or repair the product by yourself to avoid injury. If you have any questions or require any services, please contact our local after-sales service outlet.

### ■ Label Meanings

 This device is compliant with the limits of the European Council Directive on the approximation of the laws of the member states relating to electromagnetic compatibility according to RL2004/108/EG and European Low Voltage Directive RL2006/95/EG.

### ■ About the meaning of icon

This manual contains up-to-date technical specifications as of printing. However, specifications contained herein may not conform to your particular product since Takstar is constantly improving its products. Also, specifications, devices or accessories available may vary from region to region. If you have any questions, please contact our local sales outlet. For the latest version/more information, please visit our website: <https://www.takstar.com/>

## 注意事项:

1. 本单为保修凭证, 请用户妥善保管, 如有遗失, 恕不保修或退换。
2. 保修期限制: 购买之日起十二个月内。
3. 除了不可抗力事件损坏外, 由本公司负责, 免费维修。
4. 如属保管不善或使用不当造成的损坏, 维修点将酌情收费。
5. 擅自拆卸维修者, 不予保修。
6. 以上保修条款仅限于中国市场适用 (不含港澳台地区)。

## 产品服务保证书

姓名: \_\_\_\_\_ 电话: \_\_\_\_\_ 地址: \_\_\_\_\_

商品: \_\_\_\_\_ 型号: \_\_\_\_\_ 购买日期: \_\_\_\_\_ 年 \_\_\_\_ 月 \_\_\_\_ 日

维修记录栏 (由维修员填写)	维修员签名	日期

◆广东得胜电子有限公司 ◆电话: 400-6828-333

◆地址: 广东省惠州市博罗县龙溪街道雷康一路2号



扫一扫，了解更多产品  
Scan for more  
product information

## **广东省电声工程技术研究开发中心 广东得胜电子有限公司制造**

地址：广东省惠州市博罗县龙溪街道富康一路2号

服务热线：400 6828 333 传真：0752 6383950

邮箱：xs@takstar.com

网址：www.takstar.com

Guangdong Takstar Electronic Co., Ltd.

Address: No. 2 Fu Kang Yi Rd., Longxi Boluo

Huizhou, Guangdong 516121 China

Tel: 86 752 6383644 Fax: 86 752 6383952

Email: sales@takstar.com

Website: www.takstar.com